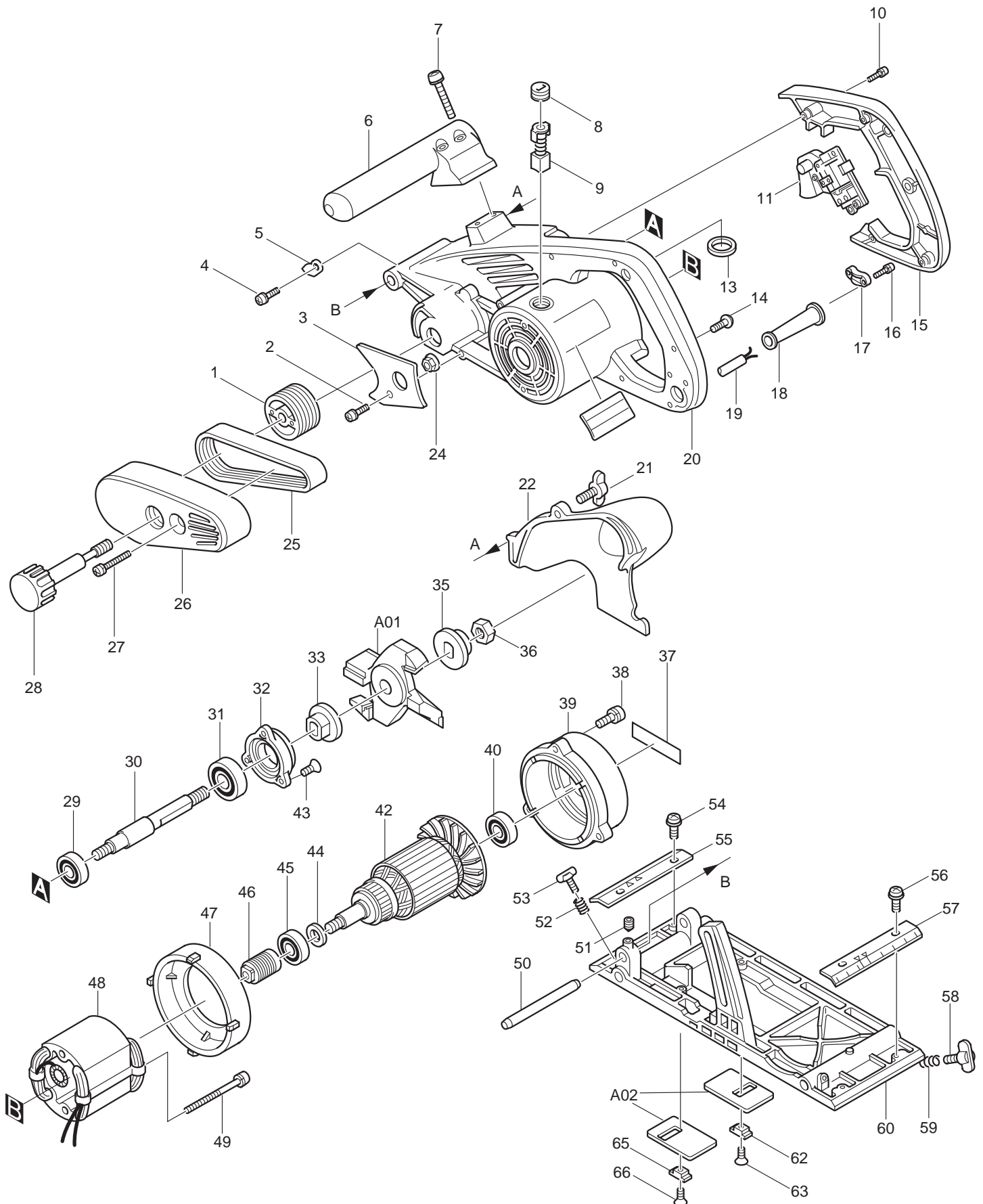




02 - 2010
3803A
GROOVE CUTTER



Item No	Type	Ref	Part No	Description	Qty	Unit
1			222124-4	V PULLEY 9-49	1	PC.
2			911109-2	PAN HEAD SCREW M4X8	1	PC.
3			343873-1	INNER COVER	1	PC.
4			911109-2	PAN HEAD SCREW M4X8	1	PC.
5			344032-0	POINTER	1	PC.
6			273502-1	GRIP 30	1	PC.
7			911363-8	PAN HEAD SCREW M6X40	2	PC.
8			643650-4	BRUSH HOLDER CAP 6.5-13.5	2	PC.
9	1		181047-4	CARBON BRUSH CB-154 2PC/SET (W/O ORIGIN)	1	SET
	2		194986-9	CARBON BRUSH CB-154 2PC/SET (W/ ORIGIN)	1	SET
10			911133-5	PAN HEAD SCREW M4X18	4	PC.
11			651053-8	SWITCH TG70CL-2	1	PC.
13			681002-1	INSULATION WASHER	2	PC.
14			652014-1	PAN HEAD SCREW M4X8	1	PC.
15			316367-9	HANDLE COVER	1	PC.
16			911133-5	PAN HEAD SCREW M4X18	2	PC.
17			687052-4	STRAIN RELIEF	1	PC.
18			682505-8	CORD GUARD 10-90	1	PC.
19			664754-9	CORD W/PLUG 3P-16-5.0, SJ	1	PC.
20			159545-6	MOTOR HOUSING COMPLETE	1	PC.
		INC.	643653-8	BRUSH HOLDER 6.5-13.5	2	PC.
		INC.	913206-0	SET SCREW M5X8	2	PC.
21			265708-5	SCREW M6X20	1	PC.
22			316368-7	CUTTER COVER	1	PC.
23			857170-4	NAME PLATE / 3803A	1	PC.
24			252131-3	HEX.NUT M8	1	PC.
25			225076-8	POLY V-BELT 9-362	1	PC.
26			343874-9	BELT COVER	1	PC.
27			911263-2	PAN HEAD SCREW M5X40	1	PC.
28			271295-4	KNOB 40	1	PC.
29			211106-1	BALL BEARING 6201LLB	1	PC.
30			322584-1	SPINDLE	1	PC.
31			211211-4	BALL BEARING 6302LLB	1	PC.
32			316371-8	BEARING BOX	1	PC.
33			224002-4	FLANGE 35	1	PC.
35			224002-4	FLANGE 35	1	PC.
36			931602-0	HEX. NUT M12	1	PC.
37			819064-1	MAKITA MARK	1	PC.
38			911233-1	PAN HEAD SCREW M5X20	3	PC.
39			316372-6	BRACKET	1	PC.
40			211066-7	BALL BEARING 6200LLB	1	PC.
41			241857-2	FAN 83	1	PC.
42			514981-7	ARMATURE ASS'Y 115V	1	PC.
		INC.		Item No. 40,41,44,45		
43			912116-8	COUNTERSUNK HEAD SCREW M4X12	3	PC.
44			253071-8	FLAT WASHER 12	1	PC.
45			211106-1	BALL BEARING 6201LLB	1	PC.
46			222123-6	V PULLEY 9-21(L)	1	PC.
47			414926-4	BAFFLE PLATE	1	PC.
48			524946-1	FIELD ASS'Y 115V	1	PC.
		INC.	654020-2	RING TERMINAL	1	PC.
		INC.	654502-4	CONNECTOR P-2	1	PC.
49			911290-9	PAN HEAD SCREW M5X65	2	PC.

Item No	Type	Ref	Part No	Description	Qty	Unit
50			322585-9	ROD 10	1	PC.
51			911212-9	PAN HEAD SCREW M5X12	1	PC.
52			231005-1	COMPRESSION SPRING 7	1	PC.
53			265708-5	SCREW M6X20	1	PC.
54			911109-2	PAN HEAD SCREW M4X8	2	PC.
55			816735-1	SCALE PLATE	1	PC.
56			911109-2	PAN HEAD SCREW M4X8	2	PC.
57			816736-9	SCALE PLATE	1	PC.
58			265708-5	SCREW M6X20	1	PC.
59			231005-1	COMPRESSION SPRING 7	1	PC.
60			316369-5	BASE	1	PC.
61			414960-4	SIDE PLATE 21-30	1	PC.
62			313061-4	SIDE PLATE RETAINER	2	PC.
63			251388-3	+ COUNTERSUNK HEAD SCREW M4X12	2	PC.
65			313061-4	SIDE PLATE RETAINER	2	PC.
66			251388-3	+ COUNTERSUNK HEAD SCREW M4X12	2	PC.
67			911308-6	PAN HEAD SCREW M6X10	2	PC.
<u>ACCESSORIES</u>						
A01			793128-8	CUTTER BLADE 120-21.0	1	PC.
A02			414960-4	SIDE PLATE 21-30	2	PC.
A03			164191-2	GUIDE RULE	1	PC.
A04			192270-6	SHIPLAPPING SCALE	1	PC.
		INC.		Item No. 67		
A05			224051-1	FLANGE 35	1	PC.
A06			414961-2	SIDE PLATE 33-46	1	PC.
A07			414963-8	SIDE PLATE 2.4-18	1	PC.
A08			781206-6	WRENCH 19	1	PC.
A09			781029-2	WRENCH 21	1	PC.
A10			821175-0	WOODEN CARRYING CASE (No Replacement Available)	1	PC.